



# SST04

## Fingerprint Identification Factsheet

Dark blue



## Operating Conditions of Module

- ✓ Operating temperature : -20°C~70°C
- ✓ Humidity : 5% ~ 95% ;
- ✓ Atmospheric pressure : 86 kPa ~ 106kPa

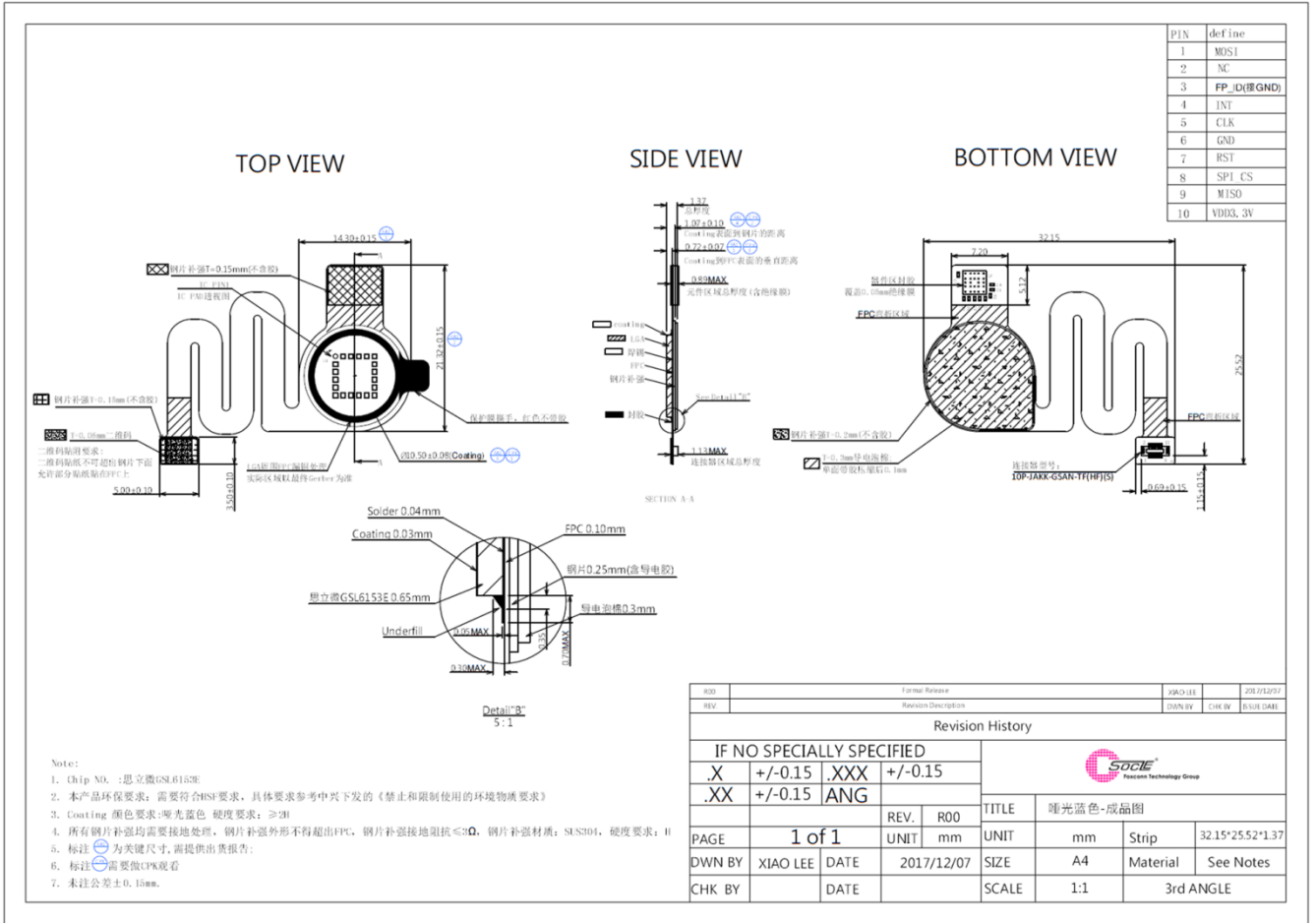
## Electro-optical Characteristics

Item	Description	規格	Unit
Digital voltage	VDD1.8V	1.8~3.3	V
Sleep current	Sleep	1.6	uA
Working current	Image Capture	2.9	mA
Clock frequency	SPI CLK	12	MHz
Digital voltage	VDD1.8V	1.8~3.3	V

## Basic Specifications of Module

Item	Typical Value
Sensor IC	Supplier: 思立微 PN: GSL6153E
Identification principle	Capacitive sensing
ID exposed size	Φ10.50*0.65mm
Graphics output primitive	91 *64 Pixel
dpi	508
Identification area	4.55*3.2mm
Data interface	SPI
Interrupt wake-up function	Yes
Interrupt wake-up power consumption	100uA耗電
FAR/FRR	FRR<3%, FAR Target 1/50,000
ESD	□空氣放電 : ±15KV 接觸放電 : ±8KV
Coating	Dark blue

## 2D Diagram of Structure and Critical Dimension Requirements



- Note:
1. Chip NO.: 思立微GSL6153E
  2. 本产品环保要求: 需要符合HSF要求, 具体要求参考中兴下发的《禁止和限制使用的环境物质要求》
  3. Coating 颜色要求: 唯光蓝色 硬度要求:  $\geq 2H$
  4. 所有铜片补强均需接地处理, 铜片补强外形不得超出FPC, 铜片补强接地面积 $\leq \phi$ , 铜片补强材质: SUS201, 硬度要求: H
  5. 标注  $\phi$  为关键尺寸, 需提供出货报告;
  6. 标注  $\phi$  需要做CPK观看
  7. 未注公差 $\pm 0.15mm$ .